

# Davit Arm Accessory

## Technical Data Sheet

Product Code	DA
Manufacturer's Name	Branach Manufacturing Pty Ltd
Phone Number	+61 3 9761 6633
Certified By (Name, Title)	Michael Walsh Chief Engineer
Last Updated	23/02/2023

### PROPERTIES

<b>Load Rating</b>	120Kg (User and tools)
<b>Materials</b>	Anodised Aluminium components with Fibreglass insulating connecting rods
<b>Working Temperature</b>	-10 °C to 60 °C
<b>Warranty</b>	3 Years

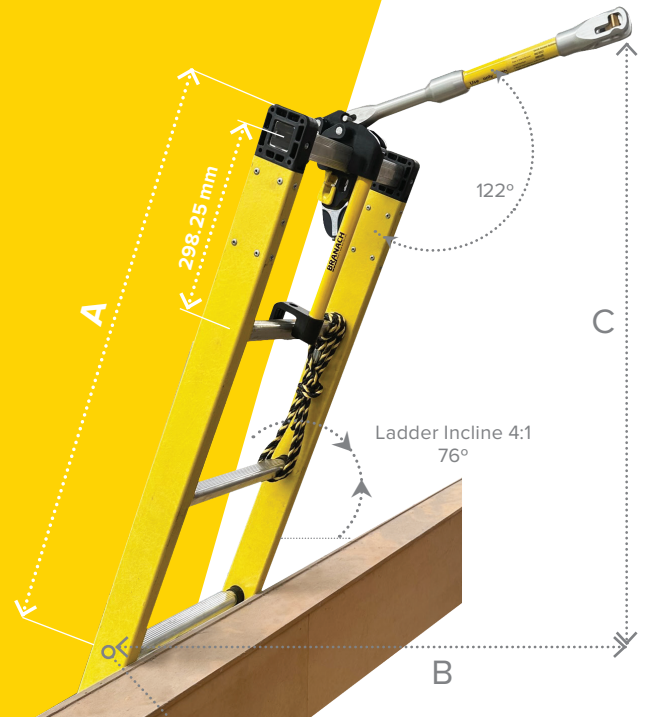
<b>Weight</b>	6.6 kg		
<b>Dimensions</b>			
<b>SPEC</b>	<b>A</b>	<b>B</b>	<b>C</b>
<b>AU</b>	908.25 mm	1087.08 mm	636.64 mm
<b>EU</b>	898.25 mm	1043.64 mm	634.22 mm

### USE

For use only with Branach Fall Control ladders upgraded and marked for Davit Arm use

### COMPONENTS

<b>A</b>	<b>Davit bag</b>	Large Tripod Bag Measuring 72x19x12cm
<b>B</b>	<b>Davit Instructions</b>	Branach Davit System Kit Instruction booklet
<b>C</b>	<b>Davit Arm</b>	Davit Arm for extension ladder
<b>D</b>	<b>Davit Lanyard</b>	Davit Lanyard Connection Assembly
<b>E</b>	<b>Davit Tbar ASM EXT</b>	Davit Arm T-Bar with Extender - (Up to 8.7m Ladders)
<b>F</b>	<b>Davit Stile Supp Kit</b>	Stile Support Bracket retrofit Kit
<b>G</b>	<b>Stl Prot ASM LH</b>	Stile protector clip on LH Asm
<b>H</b>	<b>Stl Prot ASM LH</b>	Stile protector clip on RH Asm



FLY PROTECTION MOUNT POINT

